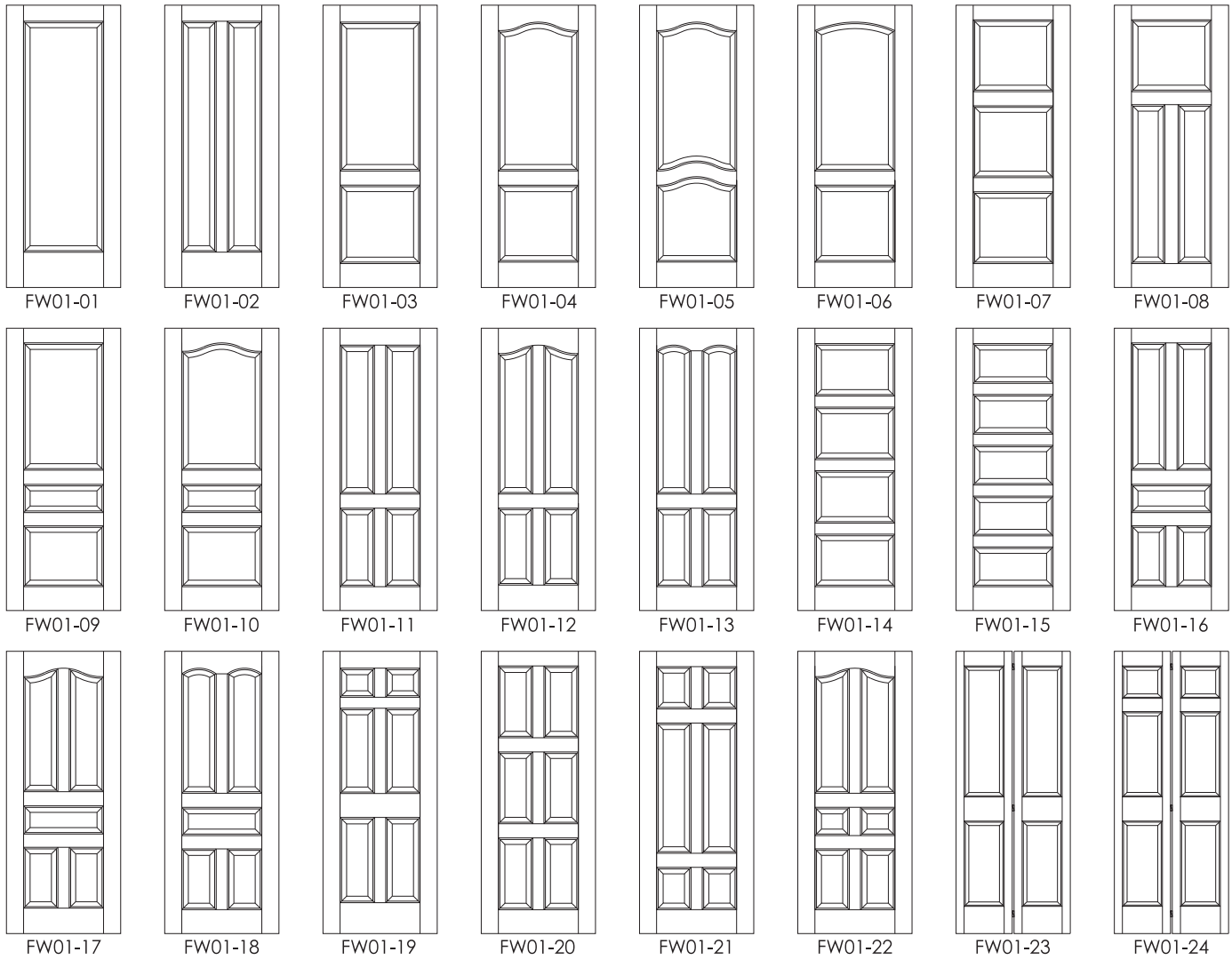
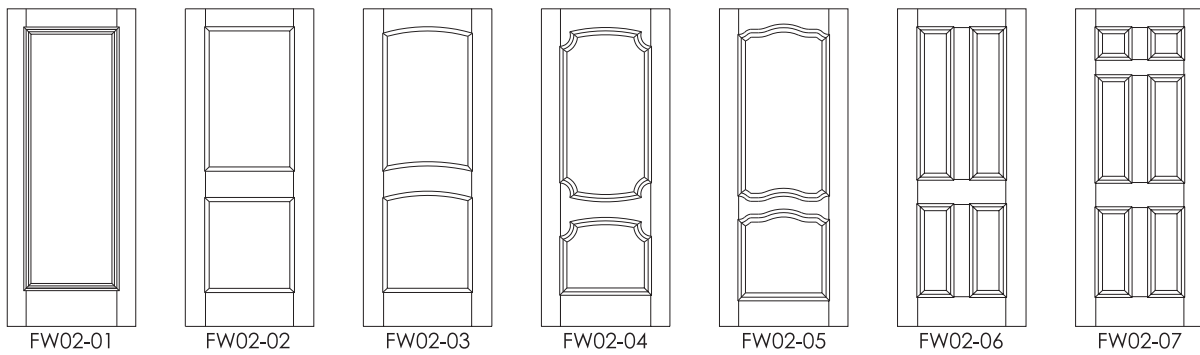


FW01 Series



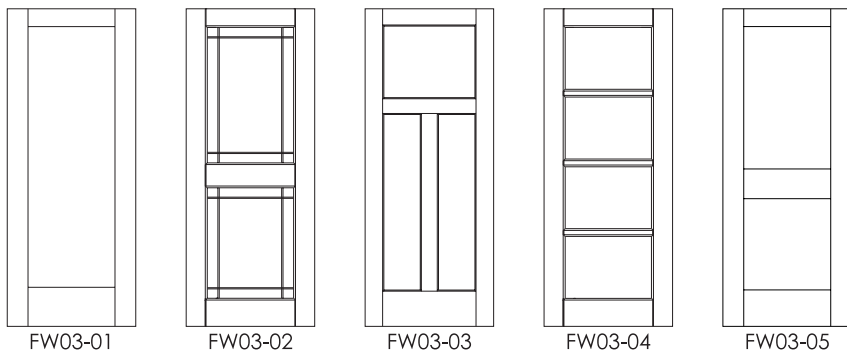
Raised Panel Doors

FW02 Series



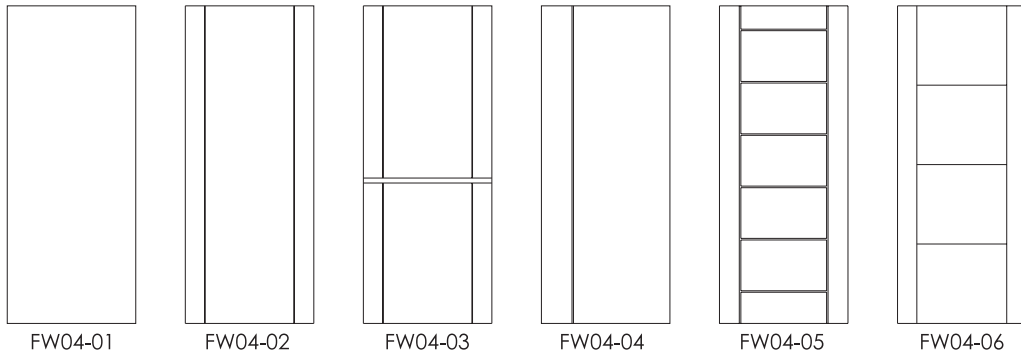
Raised Molding Doors

FW03 Series



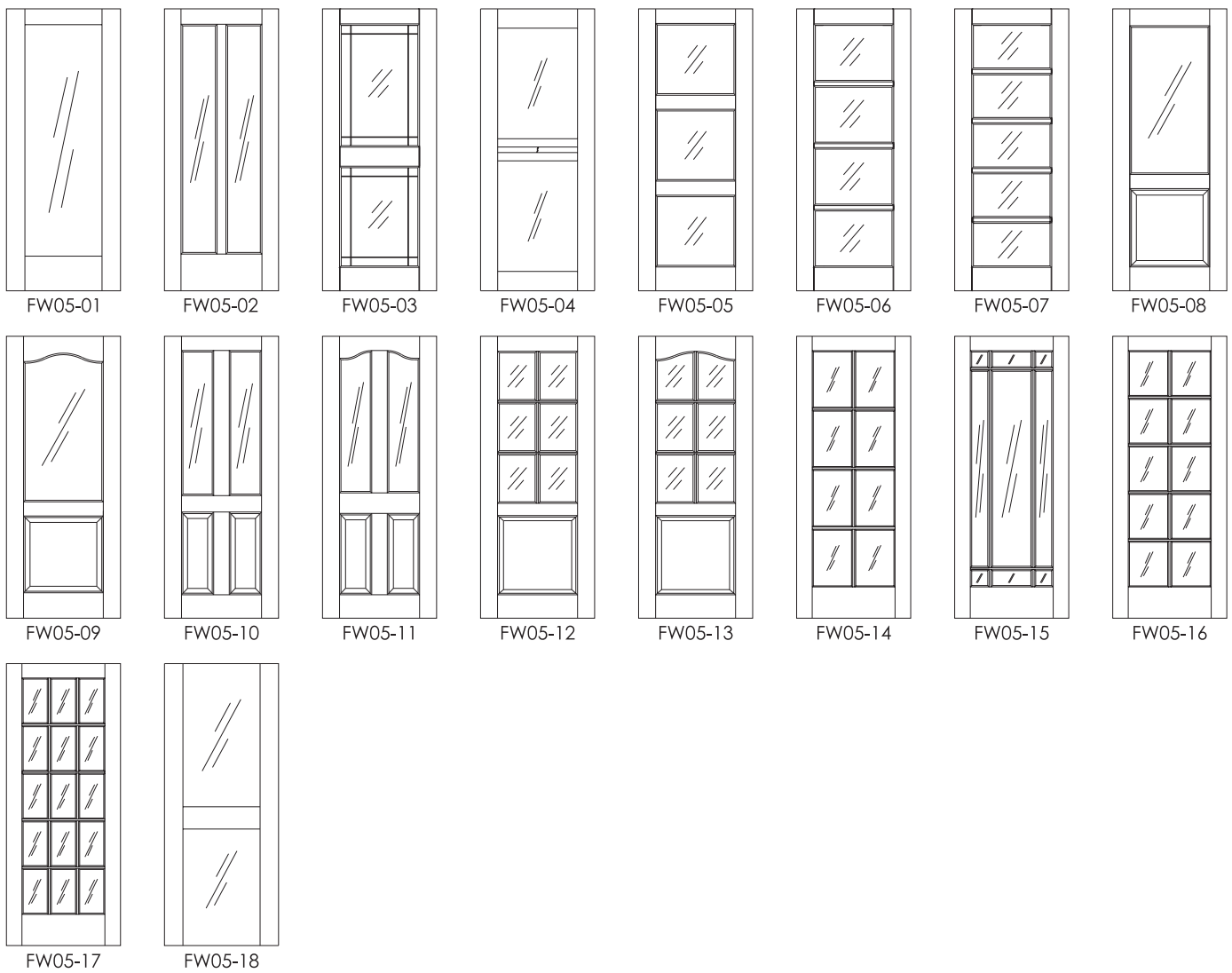
Shaker Doors

FW04 Series



Flush Doors

FW05 Series



French Doors